

# PBHE 24

Bin Screen Screen Systems



Unit shown is metroSTOR PBHE24 Bin Screen System  
 - ForestPanel - HD Galvanised Coating (Frame)  
 - Latch Euro Cylinder Lock

**metroSTOR PBHE 24** the narrowest format metroSTOR PBHE at 2.4m depth, the Bin Screen model is available in pre-engineered widths from 2.6m to 9.8m. Multiple door locations are possible within the design format to accommodate 2 and 4-wheeled containers. Standard screen height of 2.2m with bespoke builds up to 3.6m in height available.

metroSTOR E-Series is the easy to specify, cost-efficient yet highly durable solution for visual screening of bin containers and plant installations.

With a steel column and fully-welded panel frame design, metroSTOR E-Series is a bolt-down modular system that compares favourably in price with traditional fencing systems, but is longer lasting, more resistant to damage and easier to use with proven, precision engineered hinge and locking systems. The design flexibility of metroSTOR E-Series facilitates single or double door positions on any elevation of the enclosure. Standard engineering design for base plated columns enables finishing groundworks to be completed in sequence without the requirement for disruptive installation of foundations. Where the combination of a non-standard lower fence height and a double gate is required then cast in columns will be specified.

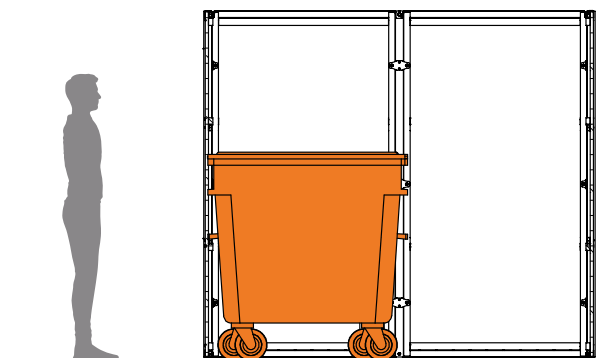
metroSTOR E-Series bin screens are produced in three model types, with almost unlimited configurations available within the design framework. metroSTOR PBLE and PBME models are single dimension models providing screening for a single row of 2 or 4 wheeled bin containers. metroSTOR PBHE is a complete Bin Screen Enclosure system, available in 65 pre-engineered layouts from 2.4m to 4.8m wide and 2.4m to 9.8m in depth.

In addition to custom structure heights, metroSTOR in-house design capability extends to custom footprints including irregular shapes to accommodate specific site restraints.

metroSTOR panel cladding systems makes for effective, design-led outdoor storage solutions, giving architects and specifiers the freedom to add unique style to a project. Innovations in laser-cut steel processing together with our extensive frame and cladding manufacturing knowledge provides the freedom to recreate inspirational designs reliably and cost-effectively.

## metroSTOR PBHE 24 Unit Dimensions

Model	Maximum Dimensions (mm)		
	Depth	Width	Height
PBHE 24.26	2729	2711	2170
PBHE 24.32	2729	3311	2170
PBHE 24.38	2729	3908	2170
PBHE 24.44	2729	4511	2170
PBHE 24.50	2729	5111	2170
PBHE 24.56	2729	5708	2170
PBHE 24.62	2729	6308	2170
PBHE 24.68	2729	6911	2170
PBHE 24.74	2729	7511	2170
PBHE 24.80	2729	8108	2170
PBHE 24.86	2729	8708	2170
PBHE 24.92	2729	9308	2170
PBHE 24.98	2729	9912	2170



PLEASE NOTE: Product dimensions given are correct at time of publishing August 2022. All dimensions are in millimetres and capacities in litres and don't form any part of the contract.

## Cladding and Finish Options

---



### Firenze Freestyle Colour Powder Coat

- Polyester Powder Coated Steel
- RAL or BS Colour Selection
- 30% Gloss Finish
- Laser Cut Hole Pattern Design



### Firenze Colour Powder Coat

- Polyester Powder Coated Steel
- RAL or BS Colour Selection
- 30% Gloss Finish



### Firenze Anthracite Grey

- Pre-Coated Steel
- SSAB Greencoat Pural BT Finish



### Firenze Nordic Night Black

- Pre-Coated Steel
- SSAB Greencoat Pural BT Finish



### Firenze Leaf Green

- Pre-Coated Steel
- SSAB Greencoat Pural BT Finish



### Firenze Walnut Brown

- Pre-Coated Steel
- SSAB Greencoat Pural BT Finish



### ForestPanel SW Slat

- Sustainably Sourced European Redwood PAR Slat
- Pressure Treated Preservative (Green)



### ForestPanel Colour SW Slat

- Sustainably Sourced European Redwood PAR Slat
- Pressure Treated Preservative (Green)
- Colour Selection Woodstain



### ForestPanel Iroko Slat

- Sustainably Sourced Hardwood PAR Slat
- Untreated Finish



### ForestPanel Iroko Slat (Horizontal Pattern)

- Sustainably Sourced Hardwood PAR Slat
- Untreated Finish

## Locking System Options

---

metroSTOR products are available with a range of robust locking options to suit the specific operational requirements. Manufactured in stainless steel with aluminium external handles and options for internal release.



Latch Only



Latch +  
Eurocylinder Lock



Latch + FB2 Key  
Lock



Slide Bolt + Padlock

The content of this document is for your general information and use only. Specifications are subject to change without notice. Images are for illustrative purposes only. Specifications correct at time of print August 2022.